



XLT[®]

SmartSolutions[™]

3240

GAS OVEN

G-version

32" WIDE CONVEYOR

40" LONG BAKE CHAMBER



The restaurant business is challenging enough without having to worry about rising labor costs, unreliable equipment and hot kitchens. That is why XLT manufactures the highest quality and most reliable equipment available, allowing you to cook the best possible food, reduce your costs and keep your customers coming back for more!

Medium-sized kitchens will rejoice at the ease of the XLT 3240 Oven. With the ability to be single, double, and triple stacked, this oven is perfect for medium to high volume kitchen operators aiming for a consistent, quality bake at a fast pace.

TOTAL LIFETIME EQUIPMENT SUPPORT

- INDUSTRY-LEADING WARRANTY
- LOW PARTS COST
- 24/7/365 LIVE TECHNICAL SUPPORT
- HIGH-QUALITY COMPONENTS

QUALITY, CONSISTENT BAKE

- CUSTOMIZED FINGER ARRANGMENTS
- EFFICIENT AIR CIRCULATION

REDUCED DOWN TIME

- ON-BOARD-DIAGNOSTICS
- 500+ SERVICE PROVIDERS IN NETWORK

EASY, SIMPLE CLEANING

- REMOVABLE FRONT PANEL
- REMOVABLE FINGERS

ENHANCED KITCHEN APPEARANCE

- CUSTOMIZED EXTENDED FRONT & SANDWICH DOOR HANDLE OPTIONS

CUSTOMIZED OPTIONS

- PRE-PLUMBED FIRE SUPPRESSION
- SPLIT BELT
- BASE SHELF
- CONVEYOR SHELVES

PARTS & LABOR WARRANTY

USA & CANADA

7 YEARS | STANDARD

10 YEARS | OVEN & HOOD COMBO PURCHASE*

*Pre-piped ANSUL system must be purchased on hood and each oven

INTERNATIONAL

5 YEARS | STANDARD

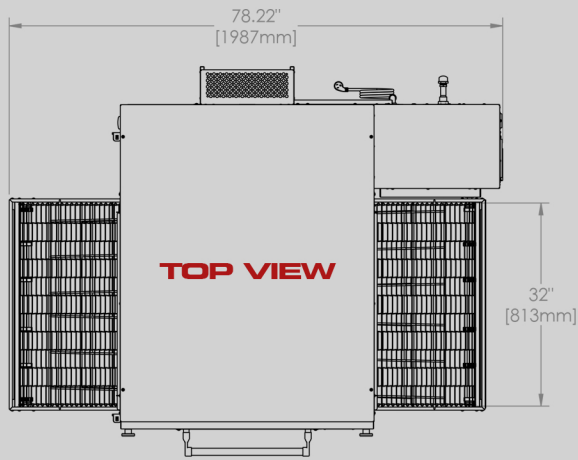
7 YEARS | OVEN & HOOD COMBO PURCHASE

WWW.XLTOVENS.COM
24/7/365 LIVE TECHNICAL SUPPORT
(316) 943-2751



service@xltovens.com

sales@xltovens.com



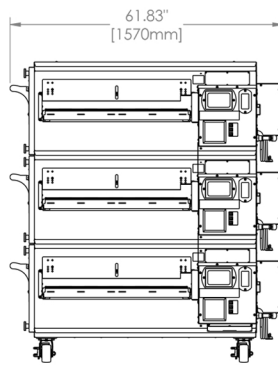
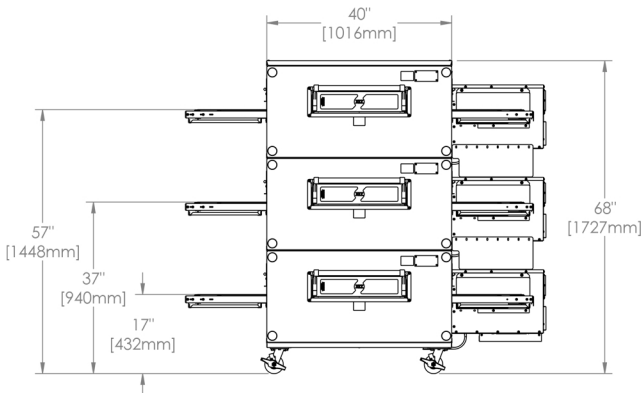
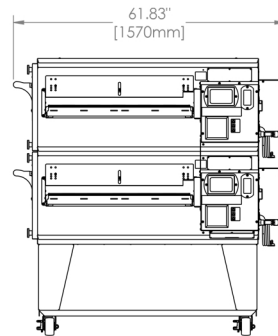
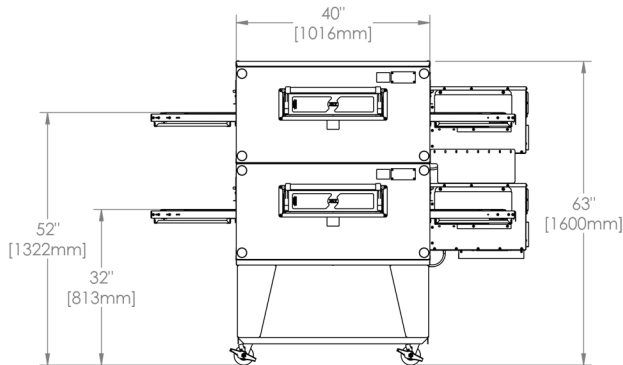
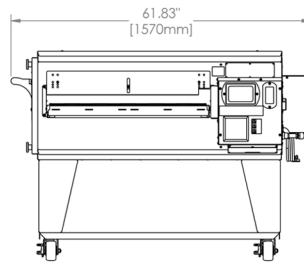
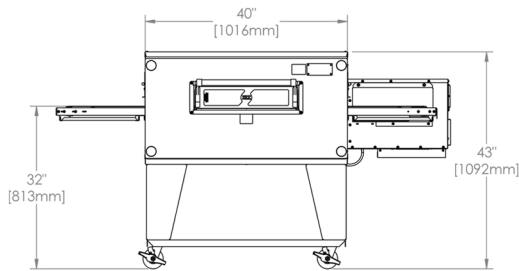
XLT

SmartSolutions™

3240 GAS OVEN G-version

FRONT VIEWS

SIDE VIEWS



HEATING VALUES

HP (High Performance) STANDARD
BTU/Hr: 122,000

HP (High Performance) WORLD
Natural: 35.75 Kw/Hr 128.70 Mj/Hr
Propane: 35.75 Kw/Hr 128.70 Mj/Hr
Butane: 38.24 Kw/Hr

STANDARD
BTU/Hr: 88,000

WORLD
Natural: 25.79 Kw/Hr 92.85 Mj/Hr
Propane: 23.44 Kw/Hr 84.39 Mj/Hr
Butane: 25.79 Kw/Hr

ELECTRICAL REQUIREMENT

STANDARD
120 V 4.8 Amps 50/60 Hz

WORLD
220/230/240 V Option
3 Amps 50/60 Hz

INLET PRESSURE RANGE

NATURAL GAS
W/C: 6-14
mbar: 15-35
kPa: 1.50-3.50
kPa (Korea): 1.50-2.50

PROPANE GAS
W/C: 11.5-14
mbar: 27.5-35
kPa: 2.75-3.50
kPa (Korea): 2.30-3.30

MANIFOLD PRESSURE RANGE

NATURAL GAS
W/C: 3.5
mbar: 8.75
kPa: 0.875

PROPANE GAS
W/C: 10
mbar: 25
kPa: 2.50

WEIGHT PER DECK

755 lbs / 342 kg

*A MINIMUM OF A 1½" GAS SUPPLY LINE IS REQUIRED.
THE GAS LINE MUST BE PLACED TO THE SIDE OF THE
OVEN AND CANNOT BE BEHIND THE CONTROL BOX.